

C&K 7000 Series Miniature Rocker & Lever Handle Switches

Features/Benefits

- Multi-pole and multi-position
- Wide variety of actuator and termination options
- Epoxy terminal-seal compatible with bottom wash cleaning
- RoHS compliant

Typical Applications

- Telecommunications
- Instrumentation
- Medical equipment



Models Available

Specifications

CONTACT RATING: B contact material: 0.4 VA max. @ 20 V AC or DC max. Q contact material: 5 AMPS @ 120 V AC or 28 V DC; 2 AMPS @ 250 V AC. See page H-21 for additional ratings.

ELECTRICAL LIFE: 7X01 and UX1 models: 100,000 make-and-break cycles at full load. All other models: 40,000 cycles.

CONTACT RESISTANCE: Below 10 m Ω typ. initial @ 2-4 V DC, 100 mA, for both silver and gold plated contacts.

INSULATION RESISTANCE: 10⁹ Ω min.

DIELECTRIC STRENGTH: 1000 Vrms min. @ sea level.

OPERATING TEMPERATURE: -30°C to 85°C.

SOLDERABILITY: Per MIL-STD-202F method 208D, or EIA RS-186E method 9 (1 hour steam aging).

NOTE: Any models supplied with S, P, R, Q, B or G contact material are RoHS compliant. For the latest information regarding RoHS compliance, please go to: www.ittcannon.com/rohs.

NOTE: Specifications and materials listed above are for switches with standard options. For information on specific and custom switches, consult Customer Service Center.

Materials

CASE: Glass filled nylon 6/6, flame retardant, heat stabilized, or diallyl phthalate (DAP) (UL 94V-0).

ACTUATOR: Nylon, black.

FRAME (FRONT MOUNT): Nylon, black.

FRAME (REAR MOUNT): Spring steel, black.

BUSHING: Brass or zinc, nickel plated.

HOUSING: Stainless steel.

SWITCH SUPPORT: Brass or steel, matte-tin plated.

END CONTACTS: B contact material: Copper alloy, with gold plate over nickel plate. Q contact material: Coin silver, silver plated. See page H-21 for additional contact materials.

CENTER CONTACTS & ALL TERMINALS: B contact material: Copper alloy, with gold plate over nickel plate. Q contact material: Copper alloy, silver plated. See page H-21 for additional contact materials.

TERMINAL SEAL: Epoxy. Refer to Soldering and Cleaning in Technical Data Section

HARDWARE: Mounting nuts & screws: Brass. Lockwasher: Stainless steel. Standoff: Nylon standard.

Build-A-Switch

To order, simply select desired option from each category and place in the appropriate box. Available options are shown and described on pages H-4 through H-25. For additional options not shown in catalog, consult Customer Service Center. All models have epoxy terminal seal and are compatible with all "bottom-wash" PCB cleaning methods.



Switch Function

- 7101 SP On-None-On
- 7103 SP On-Off-On
- 7105 SP Mom.-Off-Mom.
- 7107 SP On-Off-Mom.
- 7108 SP On-None-Mom.
- 7109 SP None-On-Mom.
- 7201 DP On-None-On
- 7203 DP On-Off-On
- 7205 DP Mom.-Off-Mom.
- 7207 DP On-Off-Mom.
- 7208 DP On-None-Mom.
- 7211 DP On-On-On
- 7213 DP On-On-Mom.
- 7215 DP Mom.-On-Mom.
- 7301 3P On-None-On
- 7303 3P On-Off-On
- 7401 4P On-None-On
- 7405 4P Mom.-Off-Mom.
- 7411 4P On-On-On

Note: UL/CSA models available, see pages H-5 and H-6.

Actuator

- J1 .531" long rocker
- J2 Lever
- J3 .906" long rocker
- J8 .699" long rocker
- J10 1.318" long rocker
- J11 Rocker with frame
- J15 Rocker, snap-in
- J16 Rocker with frame, snap-in
- J19 Rocker with frame
- J21 Lever with frame
- J25 Lever, snap-in
- J26 Lever with frame, snap-in
- J37 Rocker with frame
- J50 Rocker
- J51 Rocker with frame
- J52 Rocker with frame for LED, snap-in
- J60 Lever
- J61 Lever with frame, snap-in
- J62 Lever with frame for LED, snap-in
- J90 Lever
- J91 Lever with frame, snap-in

Terminations

- A Right angle, PC thru-hole
- AV2 Vertical right angle, PC thru-hole
- C PC Thru-hole
- Z Solder lug
- A3 Right angle, snap-in, PC thru-hole
- AV3 Vertical right angle, snap-in, PC thru-hole
- AW3 Right angle, extended, PC thru-hole
- V2 .555" high, V-bracket
- V3 .460" high, V-bracket
- V4 .630" high, V-bracket
- V5 Vertical right angle, PC thru-hole
- V6 .460" high, V-bracket
- V7 .630" high, V-bracket
- V8 .953" high, V-bracket
- V9 1.150" high, V-bracket
- V31 .460" high, V-bracket, snap-in
- V51 Vertical right angle, snap-in
- V61 .460" high, V-bracket, snap-in
- W .750" long, wire wrap
- W3 .425" long, wire wrap
- W5 1.305" long, wire wrap
- Z3 Quick connect

Contact Material

- B Gold
- K Gold, tin-lead
- P Gold, matte tin
- Q Silver
- M Silver, tin-lead
- S Silver, matte-tin
- G Gold over silver
- L Gold over silver, tin-lead
- R Gold over silver, matte-tin

Seal

- E Epoxy
- I Epoxy potted base

Actuator Color

- 2 Black
- 1 White
- 3 Red

Frame Color

- 2 Black
- NONE No frame color required
- 1 White

Metal Frame Color

- (J11, J19, J21 & J37 Actuators)
- 2 Black
- 1 White

Rocker



H



ITT

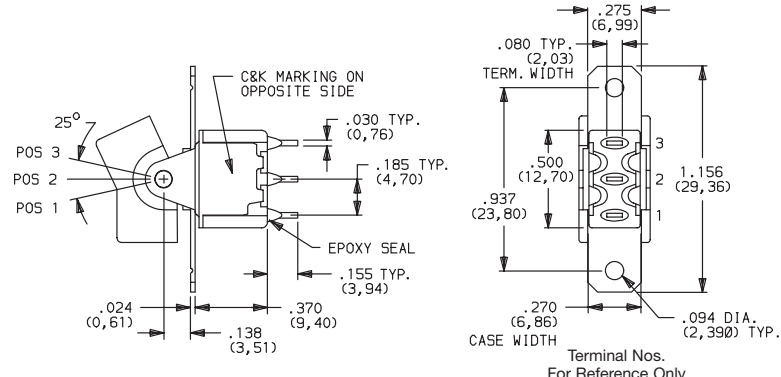
Dimensions are shown: Inch (mm)
Specifications and dimensions subject to change

C&K 7000 Series Miniature Rocker & Lever Handle Switches

SWITCH FUNCTION

| NO. POLES | MODEL NO. | UL/CSA** MODEL NO. | SWITCH FUNCTION | | | CONNECTED TERMINALS | | | SCHEMATIC |
|-----------|-----------|--------------------|------------------------------|--------|--------|------------------------------|--------|--------|-----------|
| | | | POS. 1 | POS. 2 | POS. 3 | POS. 1 | POS. 2 | POS. 3 | |
| | | | | | | | | | |
| | | | C&K marking on opposite side | | | C&K marking on opposite side | | | |
| SP | 7101 | U11 | ON | NONE | ON | 2-3 | N/A | 2-1 | |
| | 7103 | U13 | ON | OFF | ON | | N/A | | |
| | 7105 | U15 | MOM. | OFF | MOM. | | OPEN | | |
| | 7107 | U17 | ON | OFF | MOM. | | N/A | | |
| | 7108 | U18 | ON | NONE | MOM. | | N/A | | |
| 7109 | U19 | NONE | ON | MOM. | N/A | 2-3 | 2-1 | SPDT | |

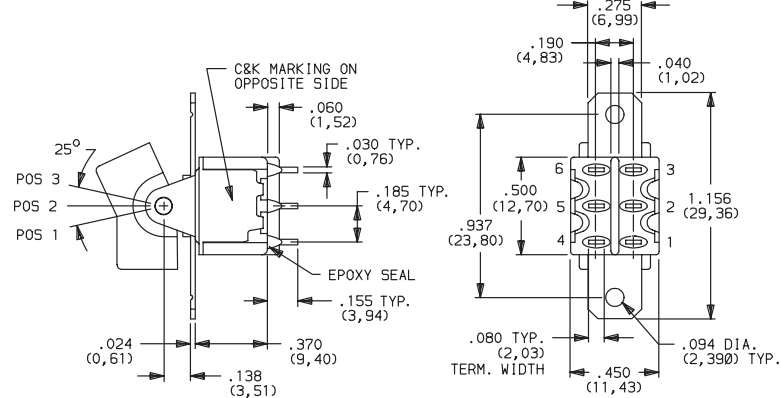
SPDT



Part number shown: 7101J1ZQE2

| | | | | | | | | | |
|----|-------|-------|------|------|------|---------|---------|---------|--|
| DP | 7201 | U21 | ON | NONE | ON | 2-3,5-6 | N/A | 2-1,5-4 | |
| | 7203 | U23 | ON | OFF | ON | | N/A | | |
| | 7205 | U25 | MOM. | OFF | MOM. | | OPEN | | |
| | 7207 | U27 | ON | OFF | MOM. | | N/A | | |
| | 7208 | U28 | ON | NONE | MOM. | | N/A | | |
| | 7211* | U211* | ON | ON | ON | | 2-3,5-4 | | |
| | 7213* | U213* | ON | ON | MOM. | | 2-3,5-4 | | |
| | 7215* | U215* | MOM. | ON | MOM. | | 2-3,5-4 | | |

DPDT



Part number shown: 7201J1ZQE2

MOM. = Momentary
 ** U11 through U413 model nos. with all options when ordered with G, L, M or Q contact material.
 * Wiring for 3-way switch, see Section O.

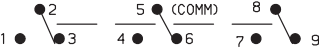


Third Angle Projection
 Dimensions are shown: Inch (mm)
 Specifications and dimensions subject to change

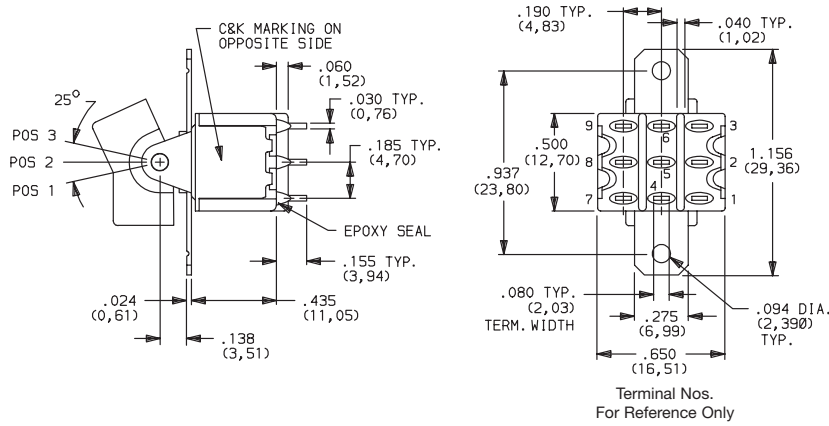


C&K 7000 Series Miniature Rocker & Lever Handle Switches


SWITCH FUNCTION

| NO. POLES | MODEL NO. | UL/CSA** MODEL NO. | SWITCH FUNCTION | | | CONNECTED TERMINALS | | | SCHEMATIC |
|-----------|-------------|--------------------|-----------------|--------|--------|---------------------|--------|--------|---|
| | | | POS. 1 | POS. 2 | POS. 3 | POS. 1 | POS. 2 | POS. 3 | |
| 3P | 7301 | U31 | | | | | N/A | |  3PDT |
| | 7303 | U33 | | | | | OPEN | | |

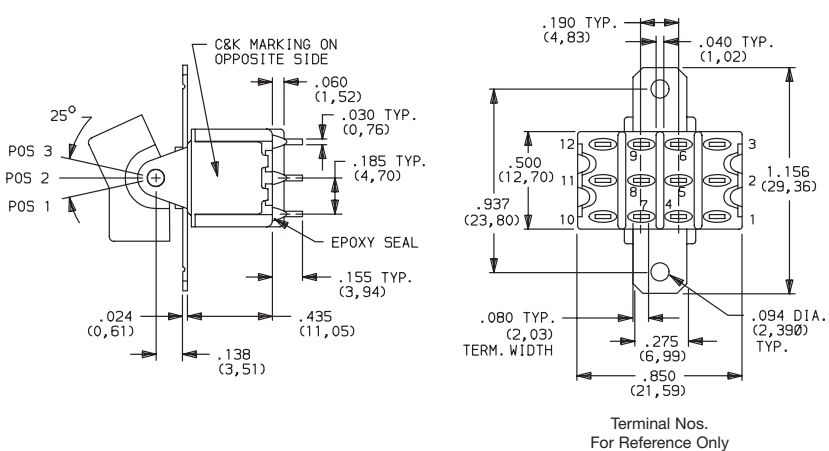
3PDT



Part number shown: 7301J1ZQE2



| 4P | 7401 | U41 | ON | NONE | ON | 2-3,5-6,8-9,11-12 | N/A |  4PDT | |
|----|--------------|--------------|------|------|------|-------------------|-------------------|---|-------------------|
| | 7405 | U45 | MOM. | OFF | MOM. | | OPEN | | 2-1,5-4,8-7,11-10 |
| | 7411* | U411* | ON | ON | ON | | 2-3,5-4,8-9,11-10 | | |

4PDT



Part number shown: 7401J1ZQE2

MOM. = Momentary

** U11 through U411 model nos.   with all options when ordered with G, L, M or Q contact material.

* Wiring for 3-way switch: See Technical Data section of this catalog for RoHS compliant and compatible definitions and specifications.

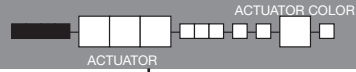
Rocker



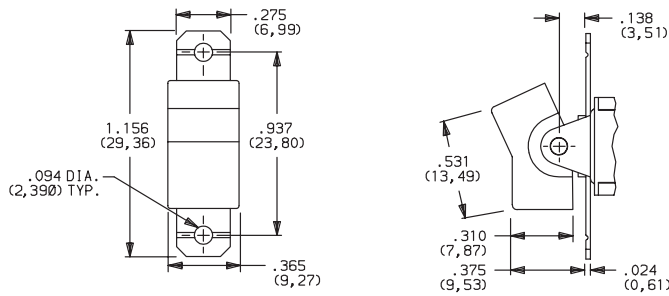
Dimensions are shown: Inch (mm)
Specifications and dimensions subject to change

C&K 7000 Series Miniature Rocker & Lever Handle Switches

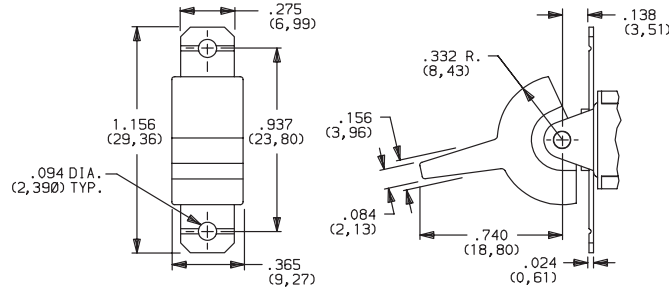
ACTUATOR-PANEL REAR MOUNT



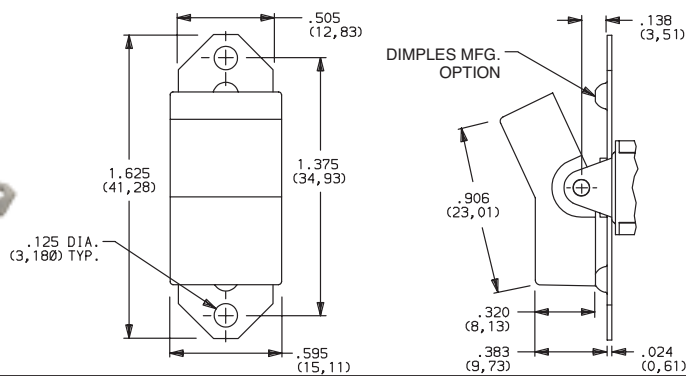
J1 ROCKER



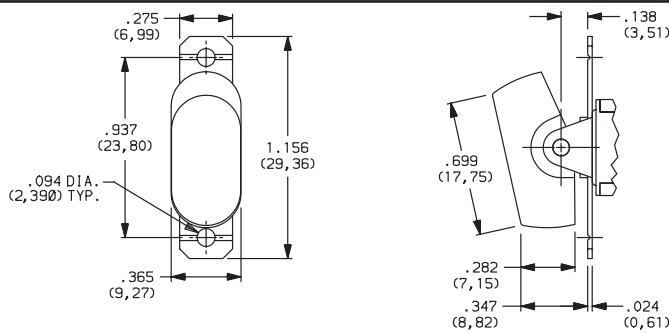
J2 LEVER



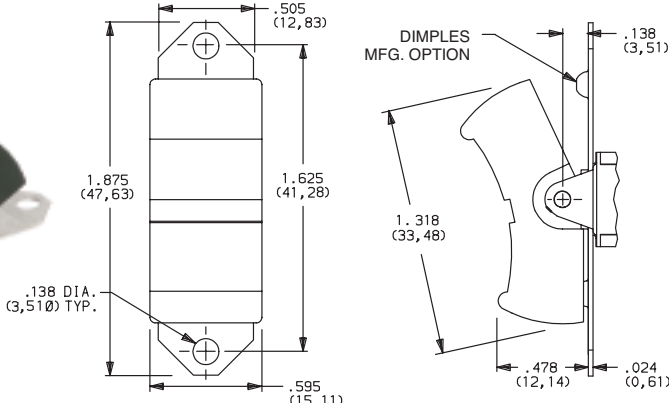
J3 ROCKER



J8 ROCKER



J10 ROCKER



| OPTION CODE | ACTUATOR COLOR |
|-------------|----------------|
| 2 | BLACK |
| 1 | WHITE |
| 3 | RED |

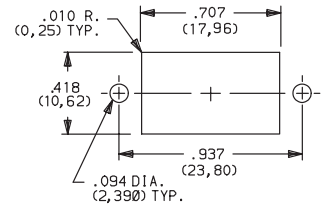
Finish: Matte. Other colors, custom actuator markings and legends available, consult Customer Service Center.

NOTE: Hardware: two each—mounting screws, nuts, lockwashers and standoffs for 1/8 inch thick panel are supplied standard on all switches with panel mounting brackets. Actuators available separately, see page H-22. Hardware is available see Technical Data section of this catalog.

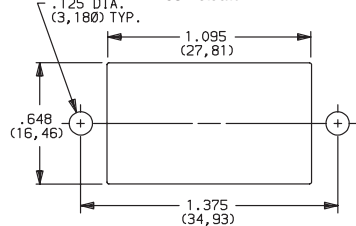
J1, J2, J3, J8 & J10 Actuators available with C, W-W5, Z or Z3 terminations.

PANEL MOUNTING

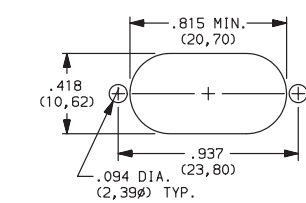
J1 & J2 Actuators



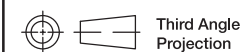
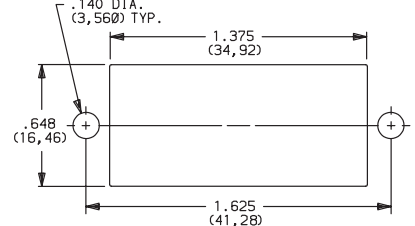
J3 Actuator



J8 Actuator



J10 Actuator



Third Angle Projection

Dimensions are shown: Inch (mm)
Specifications and dimensions subject to change

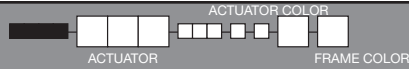
Rocker



H

C&K 7000 Series Miniature Rocker & Lever Handle Switches

ACTUATOR-SNAP-IN FRONT MOUNT



| OPTION CODE | ACTUATOR COLOR |
|-------------|----------------|
| 2 | BLACK |
| 1 | WHITE |
| 3 | RED |

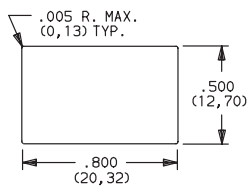
| OPTION CODE | FRAME COLOR |
|-------------|-------------------------------------|
| 2 | BLACK |
| NONE | No Frame Color (J15 or J25 options) |
| 1 | WHITE |

Finish: Matte. Other colors, custom actuator markings and legends available, consult Customer Service Center.

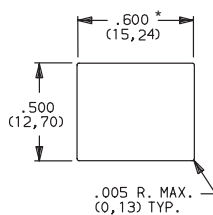
NOTE: Actuators & frames available separately, see pages H-22 and H-25. J15, J16, J25, J26, J50 & J51 Actuators available with 71XX, 72XX, U1XX & U2XX models and C, W-W5, Z and Z3 terminations.

PANEL MOUNTING

J15, J16, J25 & J26 Actuators

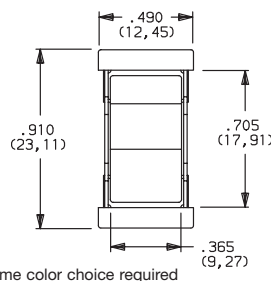


J50 Actuator

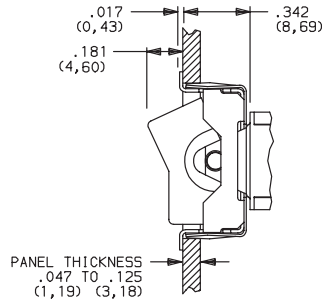


* For J50: Increase this dimension to .620/.625 (15,75/15,88) for .091/.125 (2,31/3,18) thk. panels.

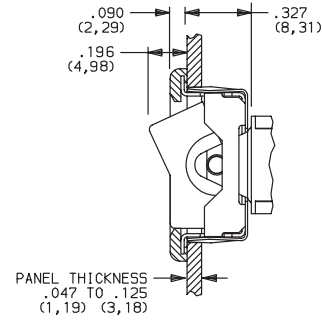
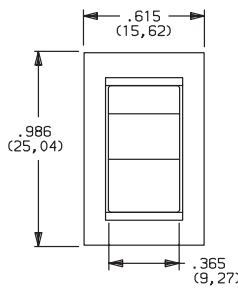
J15 ROCKER, SNAP-IN



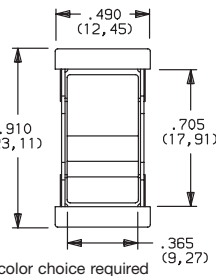
No frame color choice required



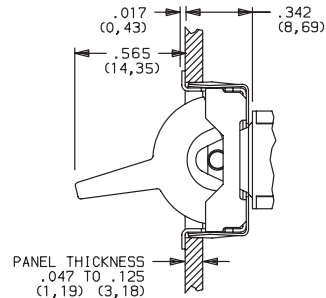
J16 ROCKER WITH FRAME, SNAP-IN



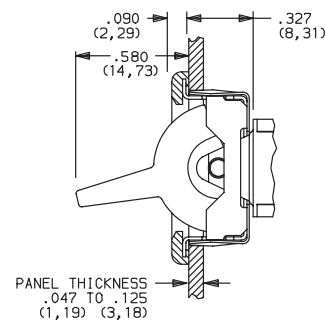
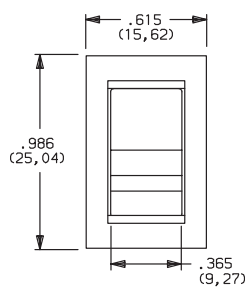
J25 LEVER, SNAP-IN



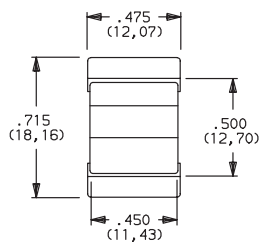
No frame color choice required



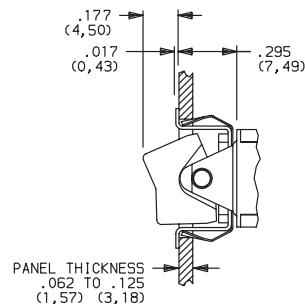
J26 LEVER WITH FRAME, SNAP-IN



J50 ROCKER, SNAP-IN



No frame color choice required



Dimensions are shown: Inch (mm)
Specifications and dimensions subject to change

Rocker



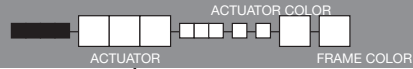
H



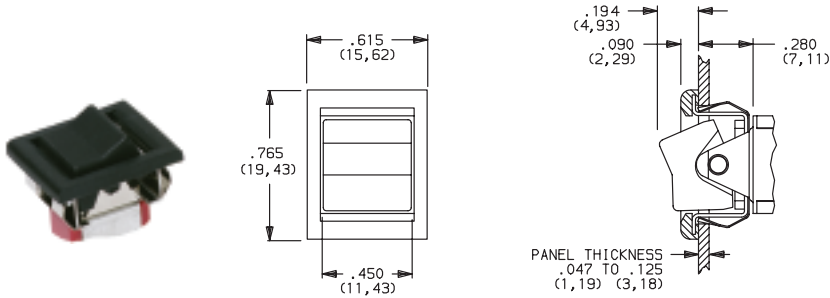
ITT

C&K 7000 Series Miniature Rocker & Lever Handle Switches

ACTUATOR-SNAP-IN FRONT MOUNT

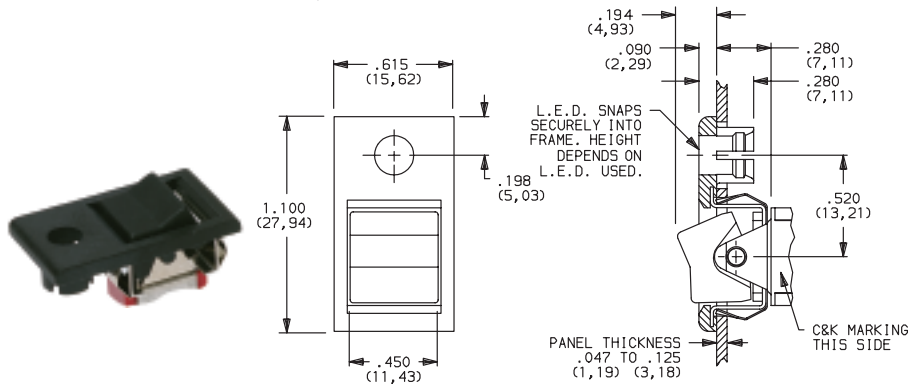


J51 ROCKER WITH FRAME, SNAP-IN



| OPTION CODE | ACTUATOR COLOR |
|-------------|----------------|
| 2 | BLACK |
| 1 | WHITE |
| 3 | RED |

J52 ROCKER WITH FRAME FOR LED, SNAP-IN



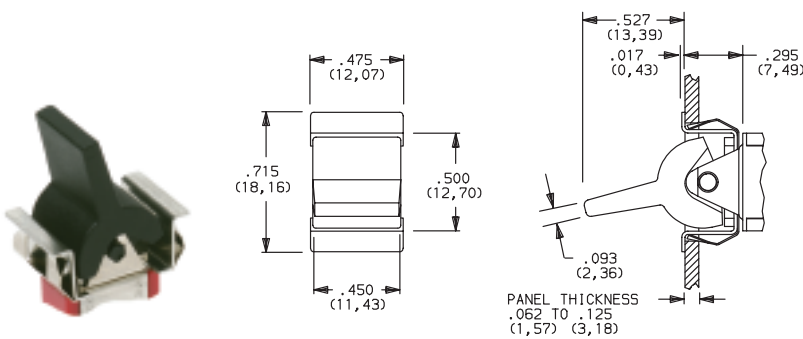
| OPTION CODE | FRAME COLOR |
|-------------|-------------------------------------|
| 2 | BLACK |
| NONE | No Frame Color (J15 or J25 options) |
| 1 | WHITE |

Finish: Matte. Other colors, custom actuator markings and legends available, consult Customer Service Center.

NOTE: Actuators & frames available separately, see pages H-22 and H-25. J51, J52, J60 & J61 Actuators available with 71XX, 72XX, U1XX & U2XX models and C, W-W5, Z and Z3 terminations.

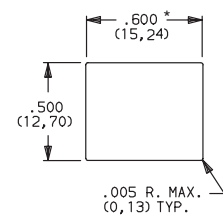
LED not included.
For LED information, see page H-24.

J60 LEVER, SNAP-IN

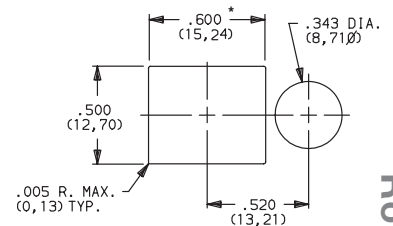


PANEL MOUNTING

J51, J60 & J61 Actuators

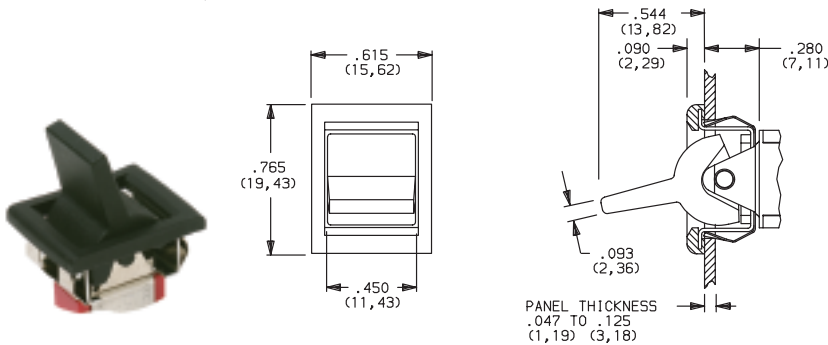


J52 Actuator

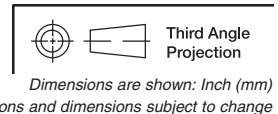


No frame color choice required

J61 LEVER WITH FRAME, SNAP-IN



For J51, J52: Increase this dimension to .620/.625 (15,75/15,88) for .060/.125(1,52/3,18) thk. panels.



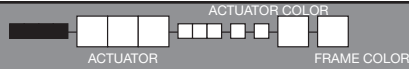
Rocker



H

C&K 7000 Series Miniature Rocker & Lever Handle Switches

ACTUATOR-SNAP-IN FRONT MOUNT



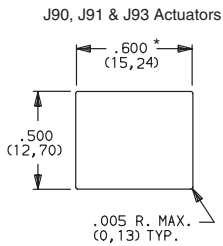
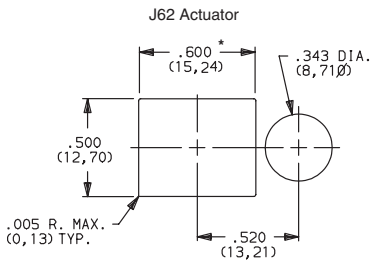
| OPTION CODE | ACTUATOR COLOR |
|-------------|----------------|
| 2 | BLACK |
| 1 | WHITE |
| 3 | RED |

| OPTION CODE | FRAME COLOR |
|-------------|------------------------------|
| 2 | BLACK |
| NONE | No Frame Color (J90 options) |
| 1 | WHITE |

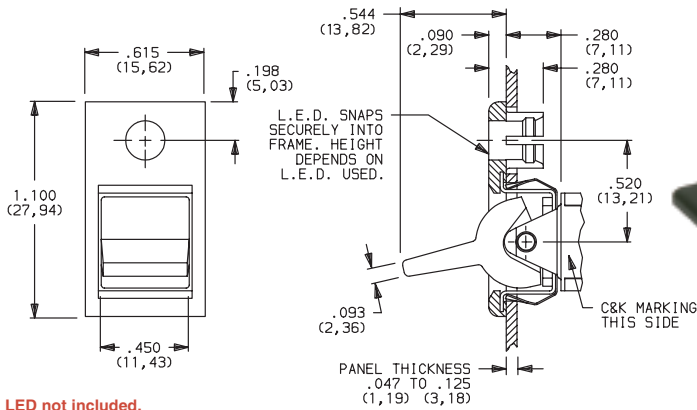
Finish: Matte. Other colors, custom actuator markings and legends available, consult Customer Service Center.

NOTE: Actuators & frames available separately, see pages H-22 and H-25. J62, J90 & J91 Actuators available with 71XX, 72XX, U1XX & U2XX models and C, W-W5, Z & Z3 terminations.

PANEL MOUNTING



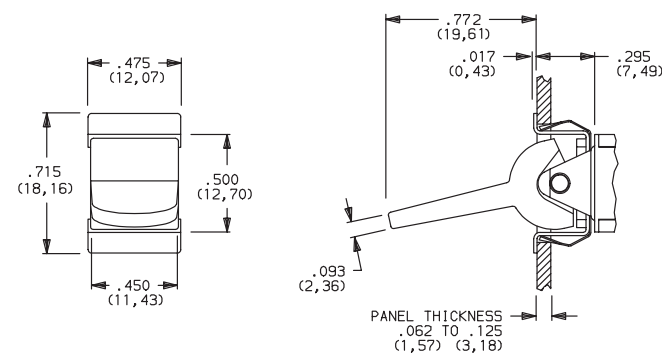
J62 LEVER WITH FRAME FOR LED, SNAP-IN



LED not included.
For LED information, see page H-25.



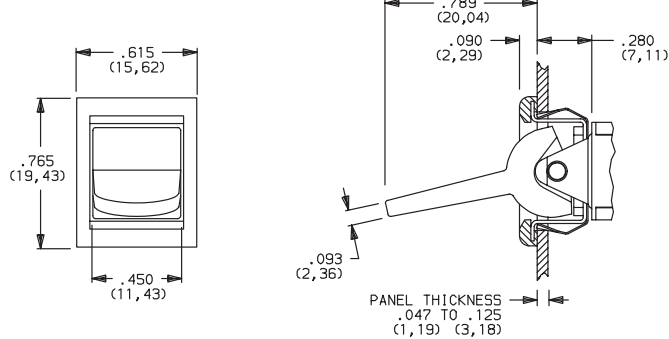
J90 LEVER, SNAP-IN



No frame color choice required.

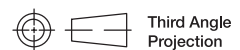


J91 LEVER WITH FRAME, SNAP-IN



Rocker

* For J90: Increase this dimension to .620/.625 (15,75/15,88) for .091/.125 (2,31/3,18) thk. panels.
For J91: Increase this dimension to .620/.625 (15,75/15,88) for .060/.125 (1,52/3,18) thk. panels.



Dimensions are shown: Inch (mm)
Specifications and dimensions subject to change

www.ittcannon.com



H



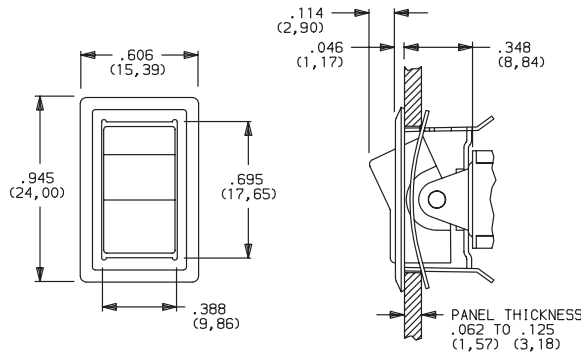
ITT

C&K 7000 Series Miniature Rocker & Lever Handle Switches

ACTUATOR-REAR MOUNT



J11 ROCKER WITH FRAME



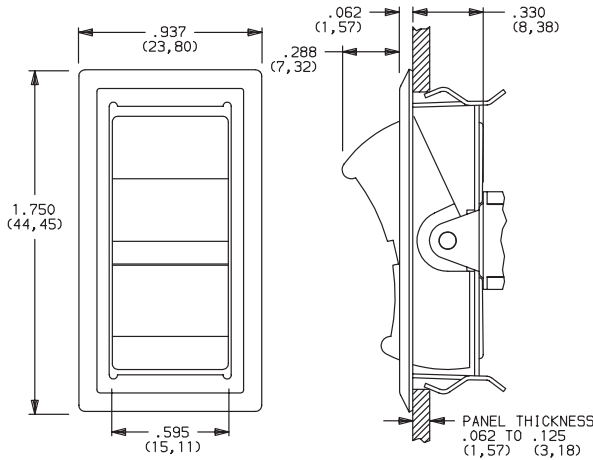
| OPTION CODE | ACTUATOR COLOR |
|-------------|----------------|
| 2 | BLACK |
| 1 | WHITE |
| 3 | RED |

| OPTION CODE | FRAME COLOR |
|-------------|-------------|
| 2 | BLACK |
| 1 | WHITE |

Actuator finish: Matte. Frame finish: Gloss. Other colors, custom actuator markings and legends available, consult Customer Service Center.

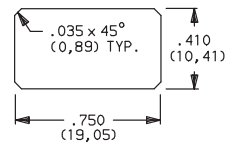
NOTE: Actuators & frames available separately, see pages H-22 and H-25. J11, J19, J21 & J37 Actuators available with C, W-W5, Z & Z3 terminations.

J19 ROCKER WITH FRAME

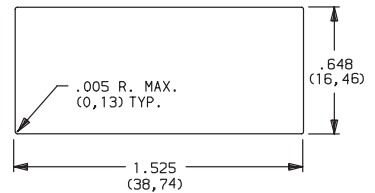


PANEL MOUNTING

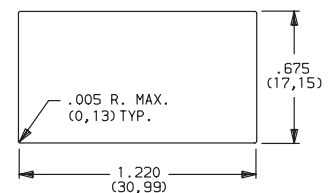
J11 & J21 Actuators



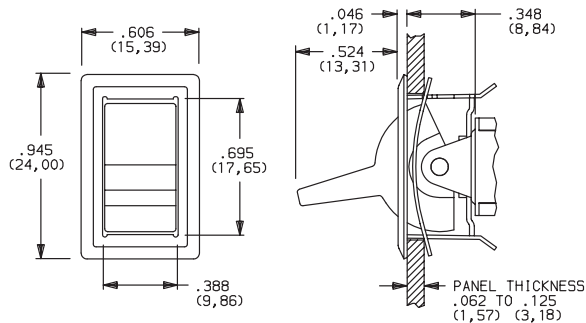
J19 Actuator



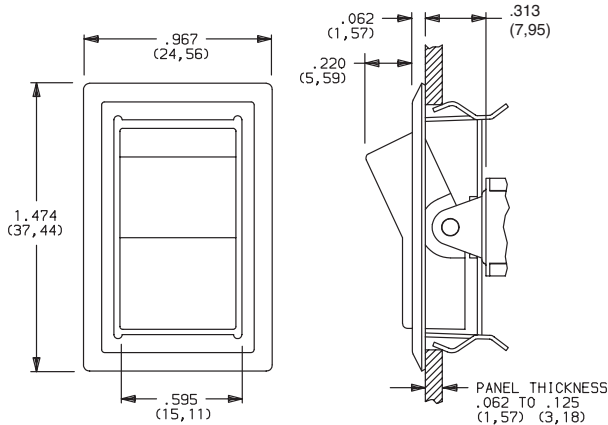
J37 Actuator



J21 LEVER WITH FRAME



J37 ROCKER WITH FRAME



Dimensions are shown: Inch (mm)
 Specifications and dimensions subject to change



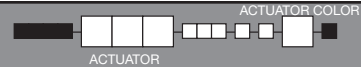
Rocker



H

C&K 7000 Series Miniature Rocker & Lever Handle Switches

ACTUATOR-PC MOUNT



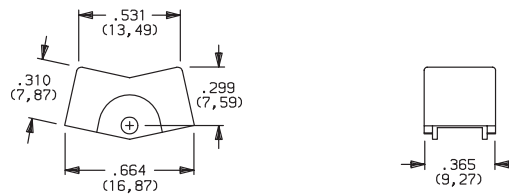
| OPTION CODE | ACTUATOR COLOR |
|-------------|----------------|
| 2 | BLACK |
| 1 | WHITE |
| 3 | RED |

Finish: Matte. Other colors, custom actuator markings and legends available, consult Customer Service Center.

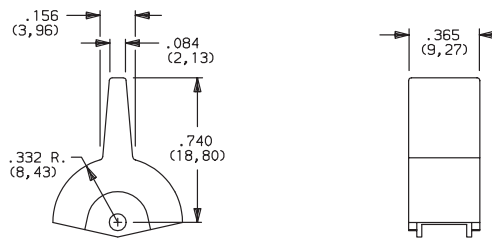
NOTE: Some permissible actuator/termination combinations may lack clearance between actuator and PC board, and care must be exercised to accommodate this condition.

Actuators available separately, see page H-22. J1, J2 & J8 actuators available with A, A3, AV2, AV3, AW3 & V2 terminations. J3 actuators available with AV2, AV3 & V2-V61 terminations. J50 actuators available with A (DP, 3P models only), A3 (DP, 3P models only), AV2, AV3, AW3 (DP, 3P models only) & V2-V61 terminations.

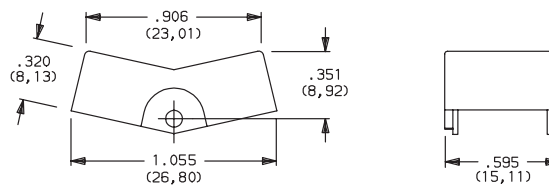
J1 ROCKER



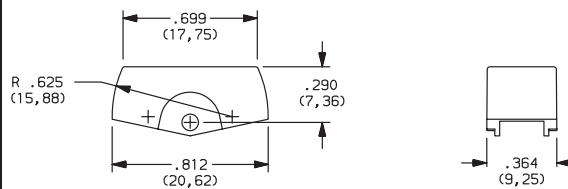
J2 LEVER



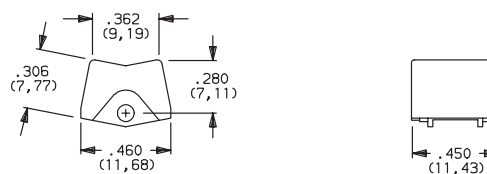
J3 ROCKER



J8 ROCKER



J50 ROCKER



Dimensions are shown: Inch (mm)
Specifications and dimensions subject to change

Rocker



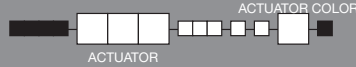
H



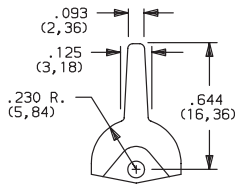
ITT

C&K 7000 Series Miniature Rocker & Lever Handle Switches

ACTUATOR-PC MOUNT



J60 LEVER

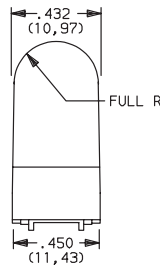
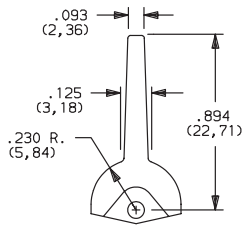


| OPTION CODE | ACTUATOR COLOR |
|-------------|----------------|
| 2 | BLACK |
| 1 | WHITE |
| 3 | RED |

Finish: Matte. Other colors, custom actuator markings and legends available, consult Customer Service Center.

NOTE: Some permissible actuator/termination combinations may lack clearance between actuator and PC board, and care must be exercised to accommodate this condition.

J90 LEVER

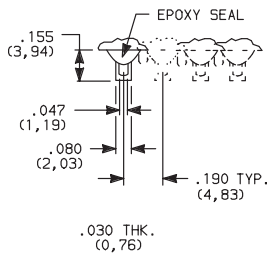


Actuators available separately, see page H-22. J60 & J90 actuators available with A (DP, 3P models only), A3 (DP, 3P models only), AV2, AV3, AW3 (DP, 3P models only) & V2-V61 terminations.

TERMINATIONS



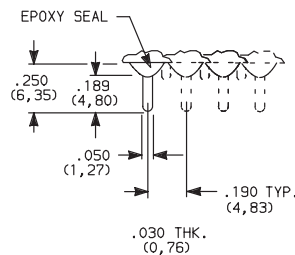
Z SOLDER LUG



SPDT thru 4PDT

Not available with K, L or M contact materials. Available actuators, see pages H-7 through H-13.

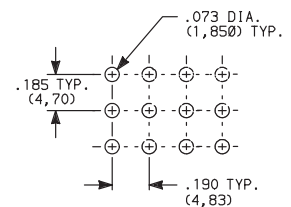
C PC THRU-HOLE



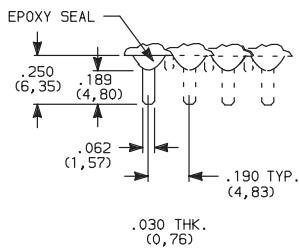
SPDT thru 4PDT

NOTE: Available actuators, see pages H-7 through H-13.

PC MOUNTING



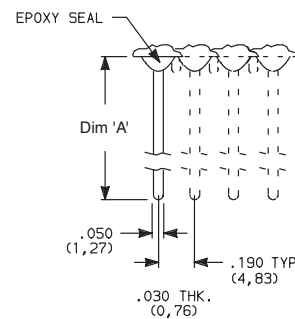
Z3 QUICK CONNECT



SPDT thru 4PDT

Not available with K, L or M contact materials. Available actuators, see pages H-7 through H-13. Mating quick connector available; order part number 530100000, page H-23.

W, W3, W5 WIRE WRAP



SPDT thru 4PDT

NOTE: Available actuators, see pages H-7 through H-13.

| OPTION CODE | DIM 'A' |
|-------------|----------------------|
| W | .750 (19,05) |
| W3 | .425 (10,80) |
| W5 | 1.305 (33,15) |



Third Angle Projection

Dimensions are shown: Inch (mm)

Specifications and dimensions subject to change



Rocker

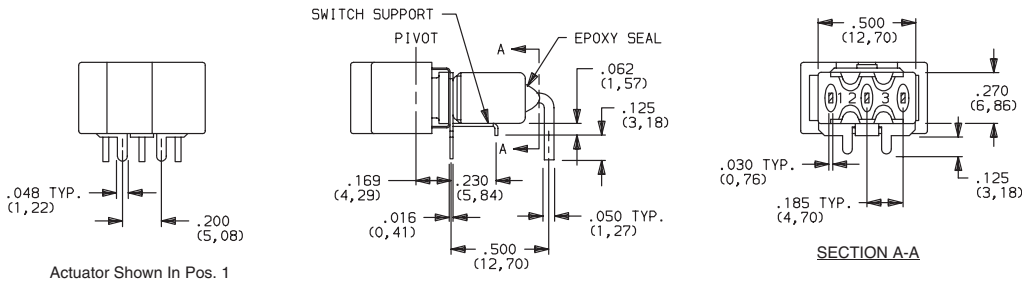


H

C&K 7000 Series Miniature Rocker & Lever Handle Switches

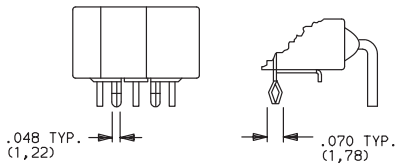
TERMINATIONS

A RIGHT ANGLE, PC THRU-HOLE

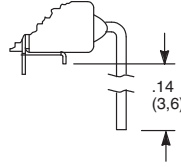


7101J1ABE2
Horizontal Actuation
SPDT

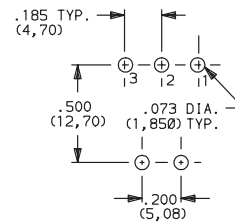
A3 RIGHT ANGLE, SNAP-IN, PC THRU-HOLE



AW3 RIGHT ANGLE, EXTENDED, PC THRU-HOLE



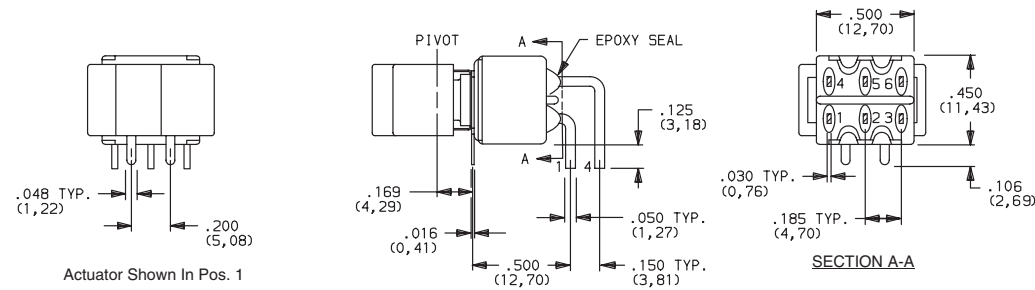
PC MOUNTING



Not available with I seal option. Available actuators, see pages H-7 and H-13.
Terminal bend radii and lead-in manufacturing option.

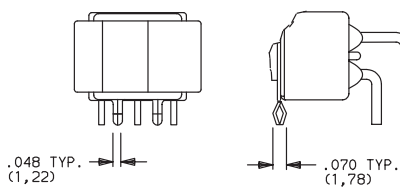
NOTE: PC pattern must clear switch support leg.

A RIGHT ANGLE, PC THRU-HOLE

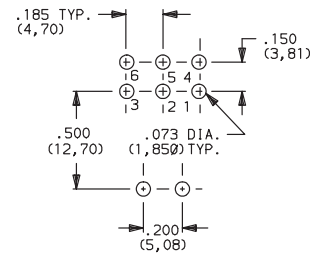


7201J1ABE2
Horizontal Actuation
DPDT

A3 RIGHT ANGLE, SNAP-IN, PC THRU-HOLE



PC MOUNTING



Not available with I seal option. Available actuators, see pages H-7 and H-13.
Terminal bend radii and lead-in manufacturing option.



Dimensions are shown: Inch (mm)
Specifications and dimensions subject to change

Rocker



H



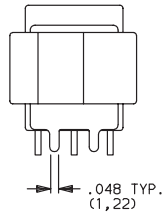
C&K 7000 Series Miniature Rocker & Lever Handle Switches

TERMINATIONS

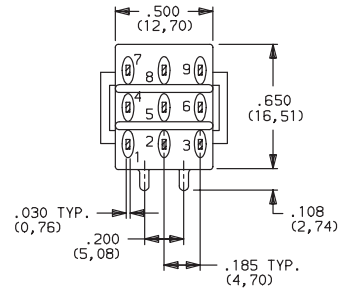
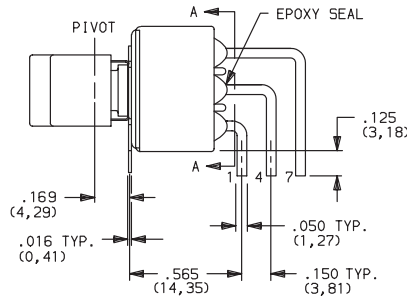
A RIGHT ANGLE, PC THRU-HOLE



7301J1ABE2
Horizontal Actuation
3PDT

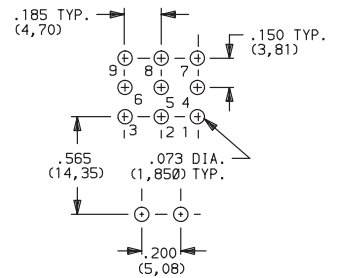


Actuator Shown In Pos. 1



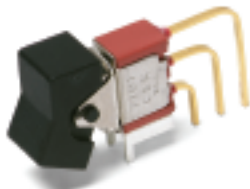
SECTION A-A

PC MOUNTING

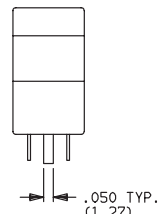


Not available with I seal option. Available actuators, see pages H-7 and H-13.
Terminal bend radii and lead-in manufacturing option.

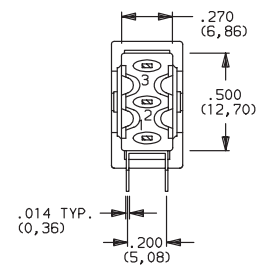
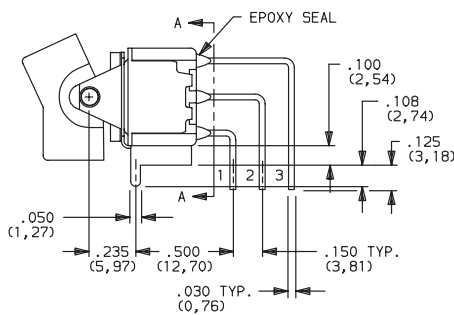
AV2 VERTICAL RIGHT ANGLE, PC THRU-HOLE, .150" PITCH



7101J1AV2BE2
Vertical Actuation
SPDT

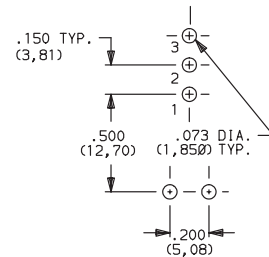


Actuator Shown In Pos. 1

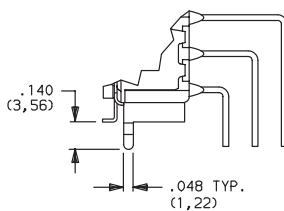
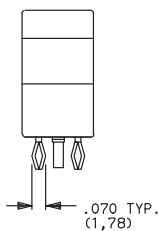


SECTION A-A

PC MOUNTING



AV3 VERTICAL RIGHT ANGLE, SNAP-IN, PC THRU-HOLE, .150" PITCH



Not available with I seal option. Available actuators, see pages H-7 and H-13.
Terminal bend radii and lead-in manufacturing option.



Third Angle Projection

Dimensions are shown: Inch (mm)
Specifications and dimensions subject to change

Rocker

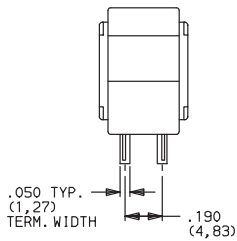


H

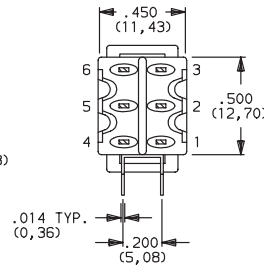
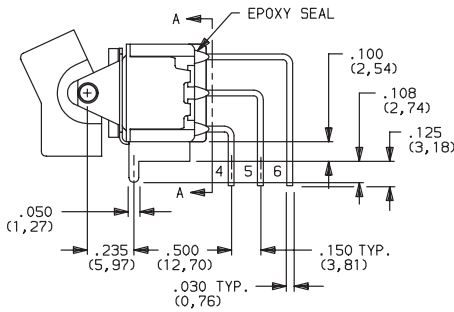
C&K 7000 Series Miniature Rocker & Lever Handle Switches

TERMINATIONS

AV2 VERTICAL RIGHT ANGLE, PC THRU-HOLE,
.150" PITCH



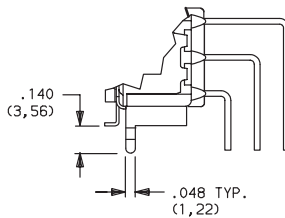
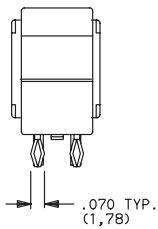
Actuator Shown In Pos. 1



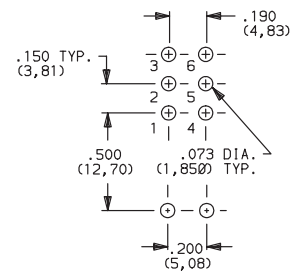
7201J1AV2BE2
Vertical Actuation

DPDT

AV3 VERTICAL RIGHT ANGLE, SNAP-IN, PC THRU-HOLE,
.150" PITCH

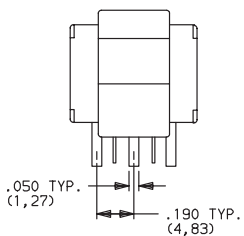


PC MOUNTING

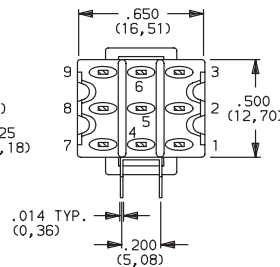
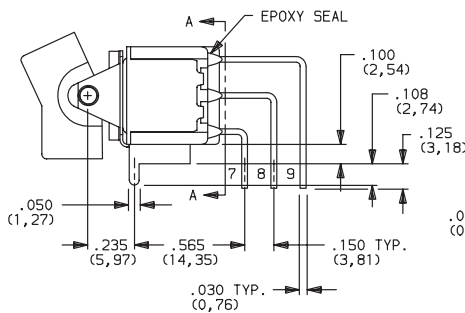


Not available with I seal option. Available actuators, see pages H-7 and H-13.
Terminal bend radii and lead-in manufacturing option.

AV2 VERTICAL RIGHT ANGLE, PC THRU-HOLE,
.150" PITCH



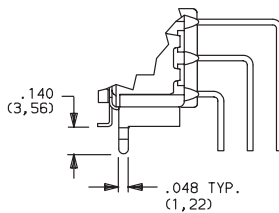
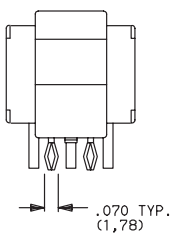
Actuator Shown In Pos. 1



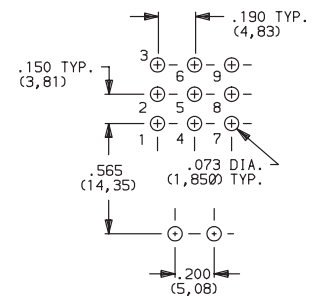
7301J1AV2BE2
Vertical Actuation

3PDT

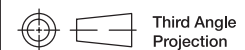
AV3 VERTICAL RIGHT ANGLE, SNAP-IN, PC THRU-HOLE,
.150" PITCH



PC MOUNTING



Not available with I seal option. Available actuators, see pages H-7 and H-13.
Terminal bend radii and lead-in manufacturing option.



Third Angle
Projection

Dimensions are shown: Inch (mm)
Specifications and dimensions subject to change

www.ittcannon.com



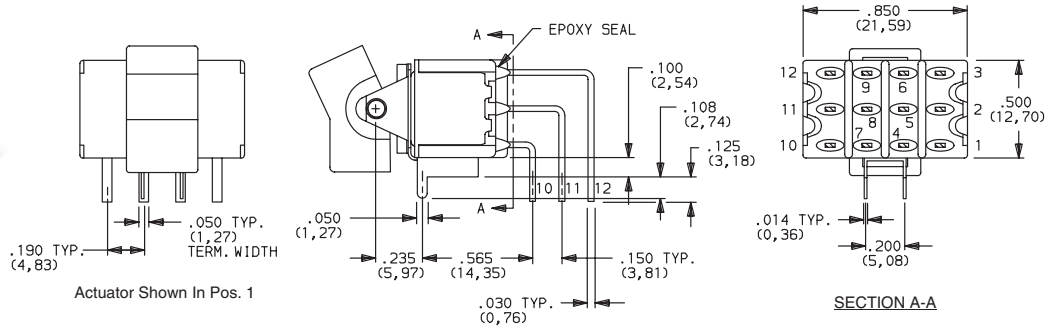
C&K 7000 Series Miniature Rocker & Lever Handle Switches

TERMINATIONS

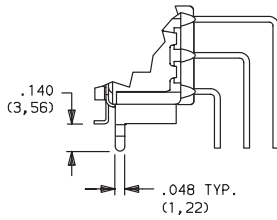
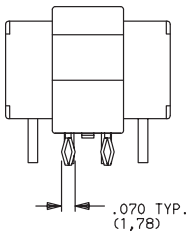
AV2 VERTICAL RIGHT ANGLE, PC THRU-HOLE,
.150" PITCH



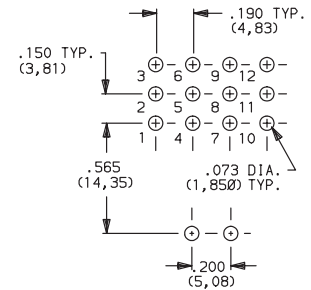
7401J1AV2BE2
Vertical Actuation
4PDT



AV3 VERTICAL RIGHT ANGLE, SNAP-IN, PC THRU-HOLE,
.150" PITCH



PC MOUNTING

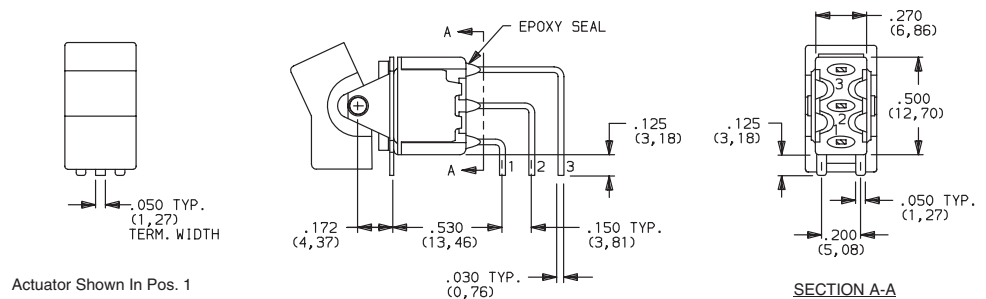


Not available with I seal option. Available actuators, see pages H-7 and H-13.
Terminal bend radii and lead-in manufacturing option.

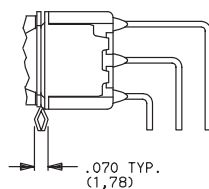
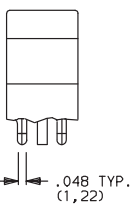
V5 VERTICAL RIGHT ANGLE, PC THRU-HOLE,
.150" PITCH



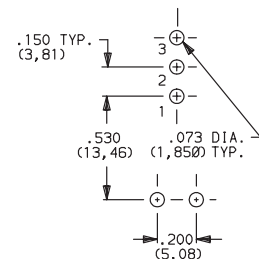
7101J1V5BE2
Vertical Actuation
SPDT



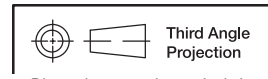
V51 VERTICAL RIGHT ANGLE, SNAP-IN,
PC THRU-HOLE, .150" PITCH



PC MOUNTING



Not available with I seal option. Available actuators, see pages H-7 and H-13.
Terminal bend radii and lead-in manufacturing option.



Dimensions are shown: Inch (mm)
Specifications and dimensions subject to change

Rocker

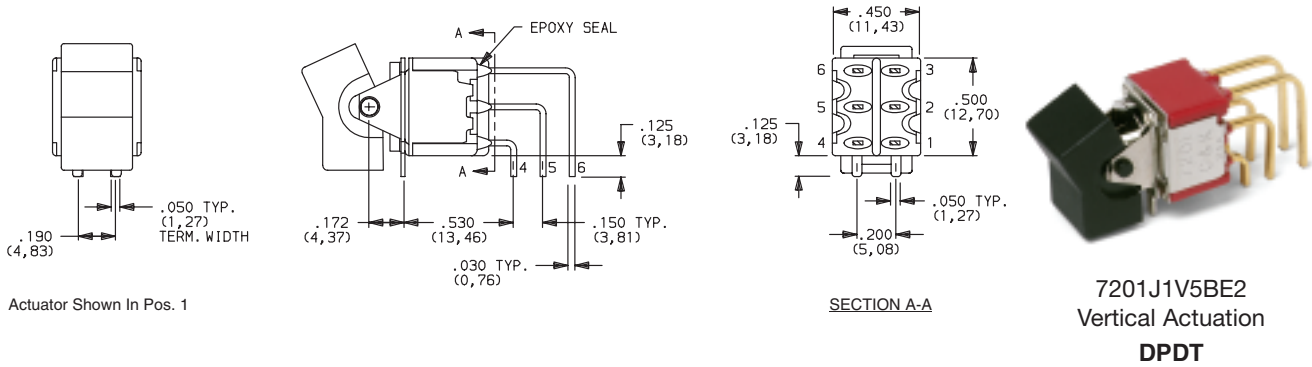


H

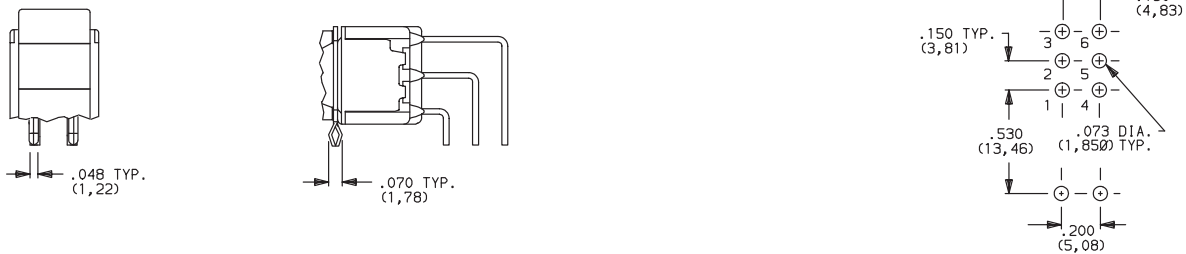
C&K 7000 Series Miniature Rocker & Lever Handle Switches

TERMINATIONS

V5 VERTICAL RIGHT ANGLE, PC THRU-HOLE,
.150" PITCH



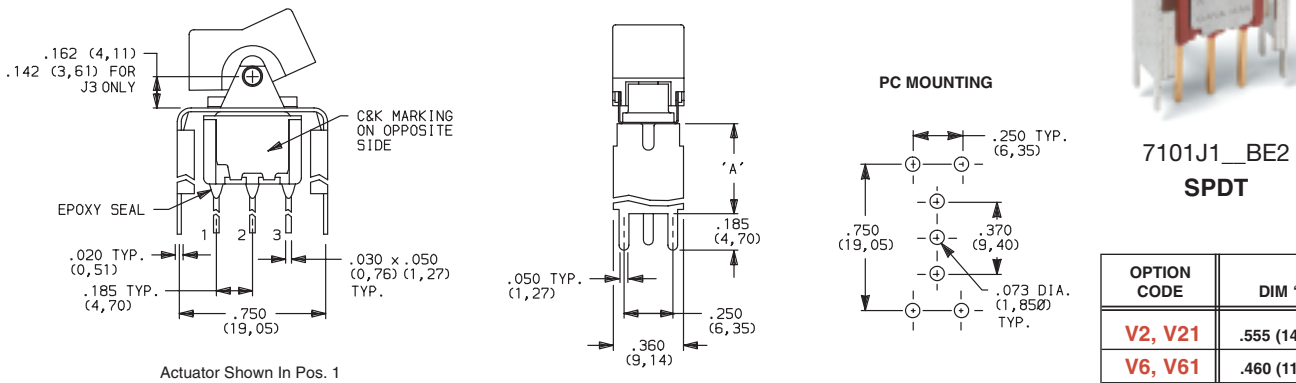
V51 VERTICAL RIGHT ANGLE, SNAP-IN,
PC THRU-HOLE, .150" PITCH



Not available with I seal option. Available actuators, see pages H-7 and H-13.
Terminal bend radii and lead-in manufacturing option.

V2, V6, V7, V8 VERTICAL MOUNT, V-BRACKET

V61 VERTICAL MOUNT, V-BRACKET, SNAP-IN



| OPTION CODE | DIM 'A' |
|-------------|--------------|
| V2, V21 | .555 (14,10) |
| V6, V61 | .460 (11,68) |
| V7 | .630 (16,00) |
| V8 | .953 (24,21) |

Rocker

Not available with I seal option.
Available actuators, see pages H-7 and H-13.



Dimensions are shown: Inch (mm)
Specifications and dimensions subject to change

www.ittcannon.com



H

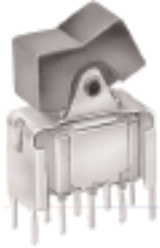


C&K 7000 Series Miniature Rocker & Lever Handle Switches

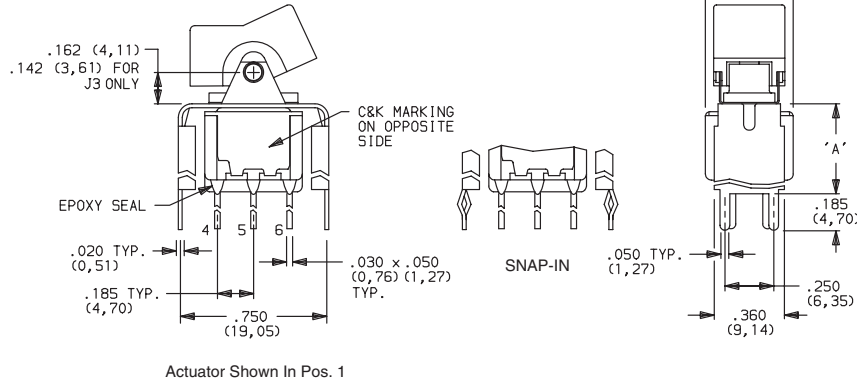
TERMINATIONS

V2, V6, V7, V8 VERTICAL MOUNT, V-BRACKET

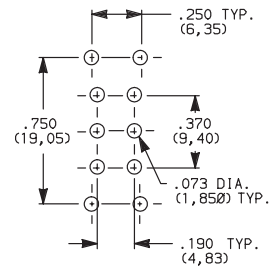
V21, V61 VERTICAL MOUNT, V-BRACKET, SNAP-IN



7201J1_BE2
DPDT



PC MOUNTING



| OPTION CODE | DIM 'A' |
|----------------|---------------------|
| V2, V21 | .555 (14,10) |
| V6, V61 | .460 (11,68) |
| V7 | .630 (16,00) |
| V8 | .953 (24,21) |

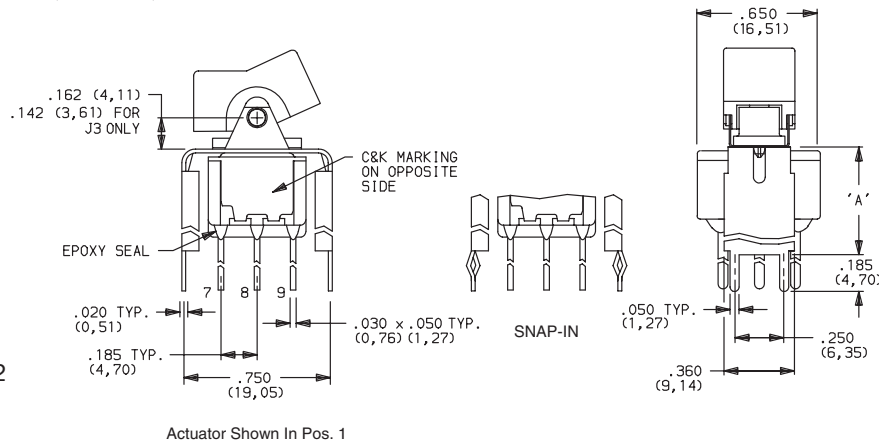
Not available with I seal option.
Available actuators, see pages H-7 and H-13.

V2, V7, V8 VERTICAL MOUNT, V-BRACKET

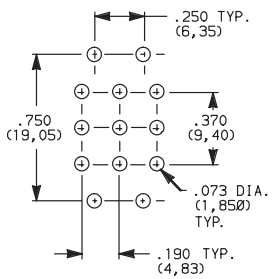
V21 VERTICAL MOUNT, V-BRACKET, SNAP-IN



7301J1_BE2
3PDT



PC MOUNTING



| OPTION CODE | DIM 'A' |
|----------------|---------------------|
| V2, V21 | .555 (14,10) |
| V7 | .630 (16,00) |
| V8 | .953 (24,21) |

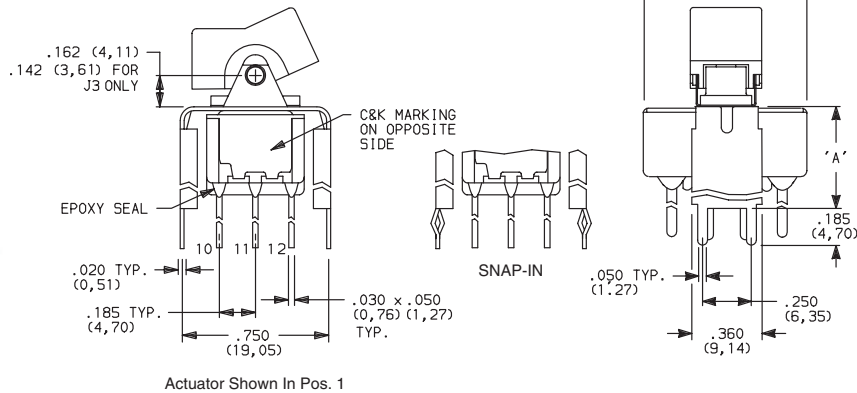
Not available with I seal option.
Available actuators, see pages H-7 and H-13.

V2, V7, V8 VERTICAL MOUNT, V-BRACKET

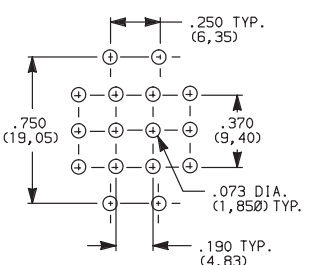
V21 VERTICAL MOUNT, V-BRACKET, SNAP-IN



7401J1_BE2
4PDT

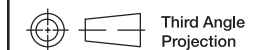


PC MOUNTING



| OPTION CODE | DIM 'A' |
|----------------|---------------------|
| V2, V21 | .555 (14,10) |
| V7 | .630 (16,00) |
| V8 | .953 (24,21) |

Not available with I seal option.
Available actuators, see pages H-7 and H-13.



Third Angle Projection
Dimensions are shown: Inch (mm)
Specifications and dimensions subject to change

Rocker



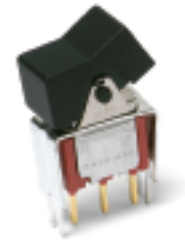
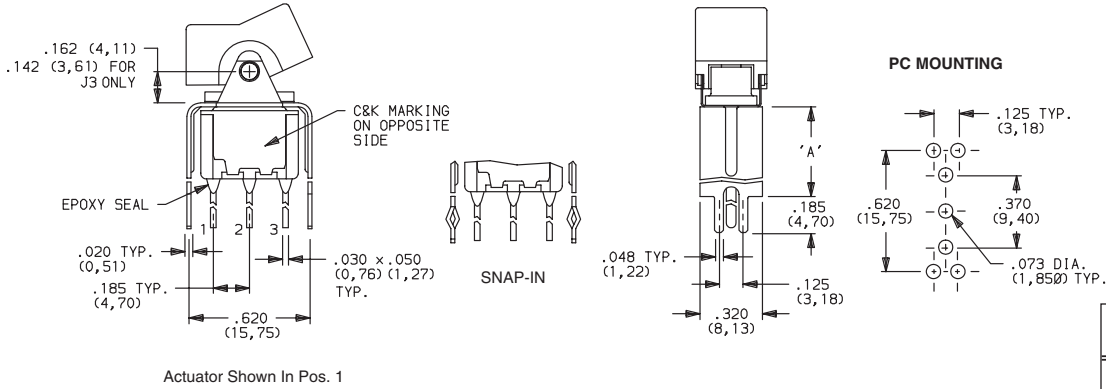
H

C&K 7000 Series Miniature Rocker & Lever Handle Switches

TERMINATIONS

V3, V4, V9 VERTICAL MOUNT, V-BRACKET

V31 VERTICAL MOUNT, V-BRACKET, SNAP-IN



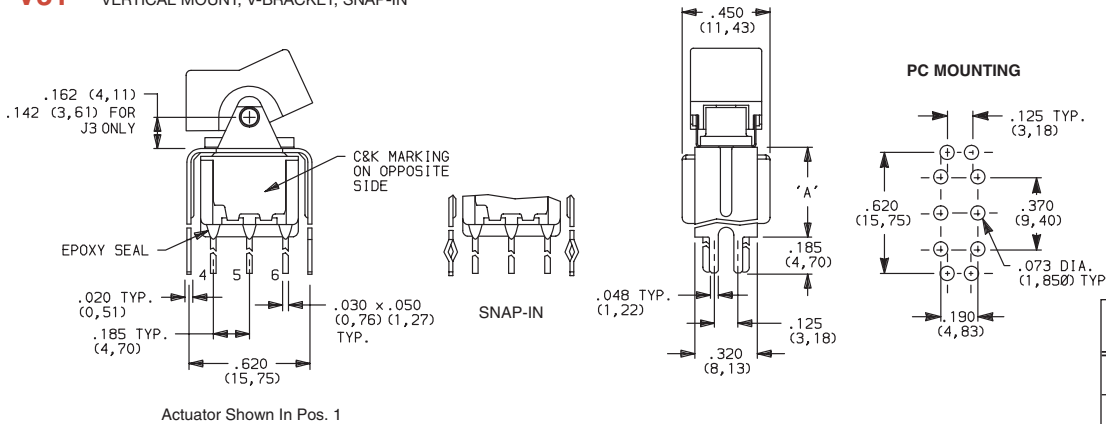
**7101J1_BE2
SPDT**

| OPTION CODE | DIM 'A' |
|----------------|---------------|
| V3, V31 | .460 (11,68) |
| V4 | .630 (16,00) |
| V9 | 1.150 (29,21) |

Not available with I seal option.
Available actuators, see pages H-7 and H-13.

V3, V4, V9 VERTICAL MOUNT, V-BRACKET

V31 VERTICAL MOUNT, V-BRACKET, SNAP-IN

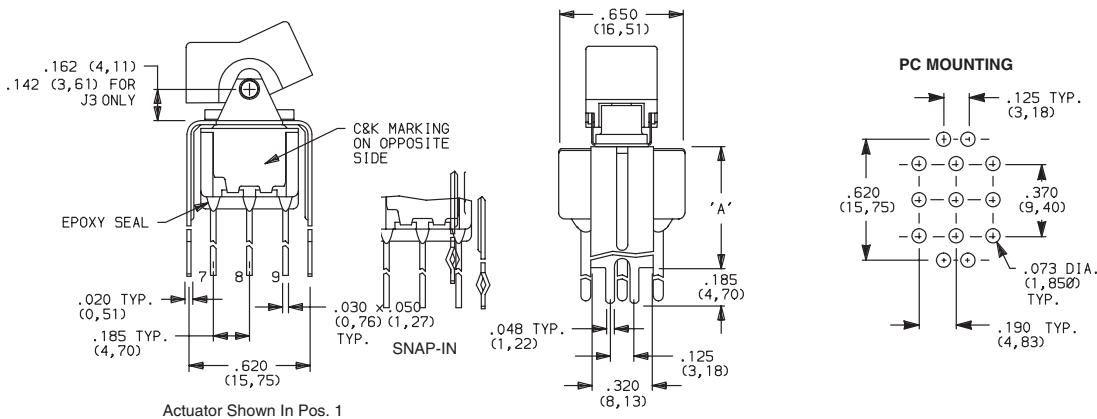


**7201J1_BE2
DPDT**

| OPTION CODE | DIM 'A' |
|----------------|---------------|
| V3, V31 | .460 (11,68) |
| V4 | .630 (16,00) |
| V9 | 1.150 (29,21) |

Not available with I seal option.
Available actuators, see pages H-7 and H-13.

V4, V9 VERTICAL MOUNT, V-BRACKET



**7301J1_BE2
3PDT**

| OPTION CODE | DIM 'A' |
|-------------|---------------|
| V4 | .630 (16,00) |
| V9 | 1.150 (29,21) |

Not available with I seal option.
Available actuators, see pages H-7 and H-13.

Rocker



H



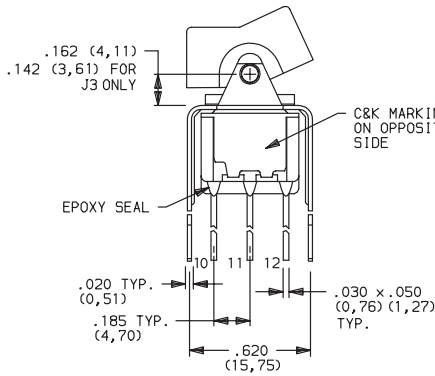
Dimensions are shown: Inch (mm)
Specifications and dimensions subject to change

www.ittcannon.com

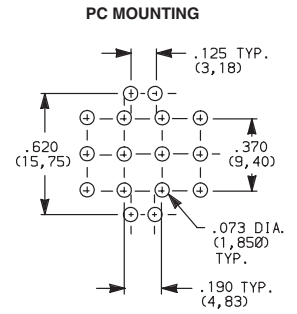
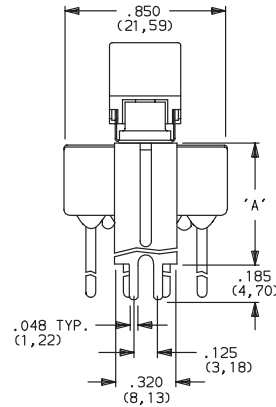
C&K 7000 Series Miniature Rocker & Lever Handle Switches

TERMINATIONS

V4, V9 VERTICAL MOUNT, V-BRACKET



Actuator Shown In Pos. 1



| OPTION CODE | DIM 'A' |
|-------------|---------------|
| V4 | .630 (16,00) |
| V9 | 1.150 (29,21) |

Not available with I seal option.
Available actuators, see pages H-7 and H-13.

CONTACT MATERIAL

| OPTION CODE | RoHS COMPLIANT * | RoHS COMPATIBLE * | CONTACT MATERIAL | TERMINAL PLATING | RATINGS | |
|-------------|------------------|-------------------|---------------------------------|------------------------|-----------------------------------|--|
| B | YES | YES | GOLD ¹ | GOLD ¹ | LOW LEVEL/ DRY CIRCUIT | 0.4 VA MAX. @ 20 V AC OR DC MAX. |
| K | NO | YES | | TIN-LEAD ⁶ | | |
| P | YES | YES | | MATTE-TIN ⁷ | | |
| Q | YES | YES | SILVER ^{4,5} | SILVER ⁵ | POWER | 5 AMPS @ 120 V AC OR 28 V DC; 2 AMPS @ 250 V AC. |
| M | NO | YES | | TIN-LEAD ⁶ | | |
| S | YES | YES | | MATTE-TIN ⁷ | | |
| G | YES | YES | GOLD OVER SILVER ^{2,3} | GOLD ³ | LOW LEVEL/DRY CIRCUIT OR POWER | 0.4 VA MAX @ 20 V AC OR DC MAX OR 5 AMPS @ 120 V AC OR 28 V DC; 2 AMPS @ 250 V AC. |
| L | NO | YES | | TIN-LEAD ⁶ | | |
| R | YES | YES | | MATTE-TIN ⁷ | | |

* Note: See Technical Data section of this catalog for RoHS compliant and compatible definitions and specifications.

- CONTACTS & TERMINALS: Copper alloy, with gold plate over nickel plate.
- END CONTACTS: Coin silver, with gold plate over nickel plate.
- CENTER CONTACTS & ALL TERMINALS: Copper alloy, with gold plate over nickel plate.
- END CONTACTS: Coin silver, silver plated.
- CENTER CONTACT & ALL TERMINALS: Copper alloy, silver plated.
- TERMINALS: Copper alloy, with tin-lead alloy over nickel plate.
- TERMINALS: Copper alloy, with matte-tin over nickel plate.

U11-U415 model numbers with all options when ordered with G, L, M, Q, S & R contact material.

B contact material standard with all terminations except C, Z & Z3.

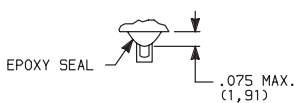
Q contact material standard with C, Z & Z3 terminations.

K, L, M, P, S & R, contact materials not available with Z & Z3 terminations.

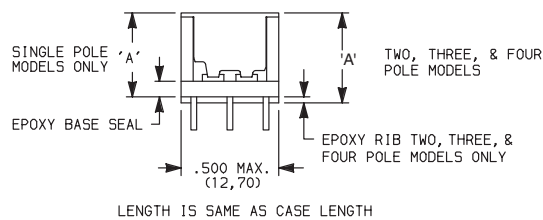
NOTE: Any models supplied with Q, B, G, S, P & R contact material are RoHS compliant. For the latest information regarding RoHS compliance, please go to: www.ittcannon.com/rohs.

SEAL

E EPOXY SEAL



I EPOXY POTTED BASE



Available with C, W through W5, Z & Z3 terminations.

| NO. POLES | DIM 'A' |
|-----------|--------------|
| SP | .410 (10,41) |
| DP | .440 (11,18) |
| 3P | .505 (12,83) |
| 4P | .505 (12,83) |



Dimensions are shown: Inch (mm)
Specifications and dimensions subject to change



Rocker

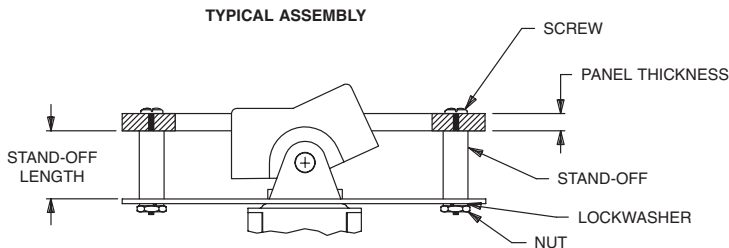


H

C&K 7000 Series Miniature Rocker & Lever Handle Switches

AVAILABLE HARDWARE

Panel mounting hardware for rocker and lever handle switches is available separately. Mounting hardware consists of two screws, two nuts, two standoffs and two lockwashers per switch, and is available for panel thicknesses of 1/16, 3/32 and 1/8 inch. See part numbers below.



J1 & J2 actuators

| PART NO. | PANEL THK. | STANDOFF LENGTH |
|-----------|-----------------|-----------------|
| 761101000 | 1/16 IN. (1,59) | .295 (7,49) |
| 761102000 | 3/32 IN. (2,38) | .264 (6,71) |
| 761103000 | 1/8 IN. (3,18) | .233 (5,92) |

J3 actuators

| PART NO. | PANEL THK. | STANDOFF LENGTH |
|-----------|-----------------|-----------------|
| 770601000 | 1/16 IN. (1,59) | .295 (7,49) |
| 770602000 | 3/32 IN. (2,38) | .264 (6,71) |
| 770603000 | 1/8 IN. (3,18) | .233 (5,92) |

J10 actuators

| PART NO. | PANEL THK. | STANDOFF LENGTH |
|-----------|-----------------|-----------------|
| 770701000 | 1/16 IN. (1,59) | .295 (7,49) |
| 770702000 | 3/32 IN. (2,38) | .264 (6,71) |
| 770703000 | 1/8 IN. (3,18) | .233 (5,92) |

MATERIAL

Screws, nuts, lockwashers: Stainless steel. Standoffs: Nylon, standard.

J1, J11, J15 & J16 Actuators



PART NO.
776A01000 WHITE
776A02263 BLACK
776A03000 RED

Material: Nylon
Finish: Matte

J2, J21, J25 & J26 Actuators



PART NO.
760501000 WHITE
760502263 BLACK
760503000 RED

Material: Nylon
Finish: Matte

J3 & J37 Actuators



PART NO.
766601000 WHITE
766602263 BLACK
766603000 RED

Material: Nylon
Finish: Matte

J50, J51 & J52 Actuators



PART NO.
775A01000 WHITE
775A02263 BLACK
775A03000 RED

Material: Nylon
Finish: Matte

J60, J61 & J62 Actuators



PART NO.
598101000 WHITE
613802263 BLACK
598103000 RED

Material: Nylon
Finish: Matte

J8 Actuator



PART NO.
488701000 WHITE
488702263 BLACK
488703000 RED

Material: Nylon
Finish: Matte

Rocker



H



ITT

Dimensions are shown: Inch (mm)
Specifications and dimensions subject to change

C&K 7000 Series Miniature Rocker & Lever Handle Switches

AVAILABLE HARDWARE

J90 & J91 Actuators



PART NO.

598001000 WHITE
598002263 BLACK
598003000 RED

Material: Nylon
Finish: Matte

J10 & J19 Actuators



PART NO.

769501000 WHITE
769502263 BLACK
769503000 RED

Material: Nylon
Finish: Matte

Fits Z3 Termination
female connector



PART NO.

530100000

Available in loose pieces.

Frame for J11 & J21 Actuators



PART NO.

764500746 BLACK ENAMEL
764500747 WHITE ENAMEL
764601106 RETAINING SPRING

Material: Spring Steel

Frame for J16 & J26 Actuators



PART NO.

459101000 WHITE
459102000 BLACK
459103000 RED

Material: Nylon
Finish: Matte

Frame for J51, J61 & J91 Actuators



PART NO.

615601000 WHITE
615602263 BLACK
615603000 RED

Material: Nylon
Finish: Matte

Frame for J19 Actuator



PART NO.

781000746 BLACK ENAMEL
781000747 WHITE ENAMEL

Material: Spring Steel

Frame for J37 Actuator



PART NO.

445400746 BLACK ENAMEL
445400747 WHITE ENAMEL

Material: Spring Steel

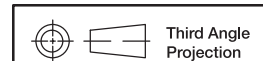
Frame for J52 & J62 Actuators



PART NO.

613301000 WHITE
613302263 BLACK
613303000 RED

Material: Nylon
Finish: Matte



Dimensions are shown: Inch (mm)

Specifications and dimensions subject to change

Rocker

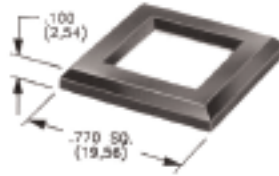


H

C&K 7000 Series Miniature Rocker & Lever Handle Switches

AVAILABLE HARDWARE

Frame for J50, J60 & J90 Actuators



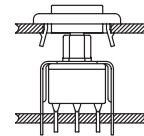
| MATTE | | GLOSS | |
|-----------|-------|-----------|-------|
| PART NO. | | PART NO. | |
| 486701000 | WHITE | 486801000 | WHITE |
| 486702000 | BLACK | 486802000 | BLACK |
| 486703000 | RED | 486803000 | RED |

Material: Nylon

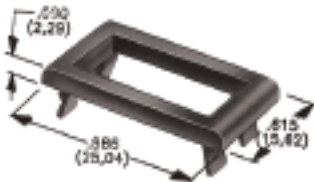
NOTE: Other colors available, consult Customer Service Center.

Frames snap into panel opening and are independent from switch mounting. Accurate positioning of the PC mounted switch relative to the panel opening is necessary to provide proper clearance between actuator and frame. Available in two basic styles and four panel thicknesses .047-.125 in. Material: Nylon. Finish: Matte.

TYPICAL APPLICATION



J1 & J2 Actuators



| .047" (1,19) PANEL THK. | .062" (1,57) PANEL THK. | .090" (2,29) PANEL THK. | .125" (3,18) PANEL THK. |
|-------------------------|-------------------------|-------------------------|-------------------------|
| PART NO. | PART NO. | PART NO. | PART NO. |
| 452901000 | 452701000 | 452801000 | 452601000 |
| 452902263 | 452702263 | 452802263 | 452602263 |
| 452903000 | 452703000 | 452803000 | 452603000 |
| | | | WHITE |
| | | | BLACK |
| | | | RED |

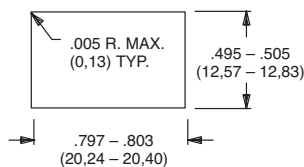
J50, J60 & J90 Actuators



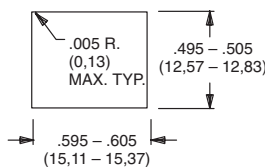
| .047" (1,19) PANEL THK. | .062" (1,57) PANEL THK. | .090" (2,29) PANEL THK. | .125" (3,18) PANEL THK. |
|-------------------------|-------------------------|-------------------------|-------------------------|
| PART NO. | PART NO. | PART NO. | PART NO. |
| 432501000 | 432601000 | 432701000 | 432801000 |
| 432502263 | 432602263 | 432702263 | 432802263 |
| 432503000 | 432603000 | 432703000 | 432803000 |
| | | | WHITE |
| | | | BLACK |
| | | | RED |

PANEL MOUNTING

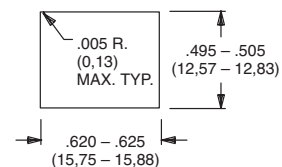
For part numbers
4529xxxxx, 4527xxxxx,
4528xxxxx, 4526xxxxx



For part numbers
4325xxxxx, 4326xxxxx



For part numbers
4327xxxxx, 4328xxxxx



Rocker



H



ITT



Dimensions are shown: Inch (mm)
Specifications and dimensions subject to change

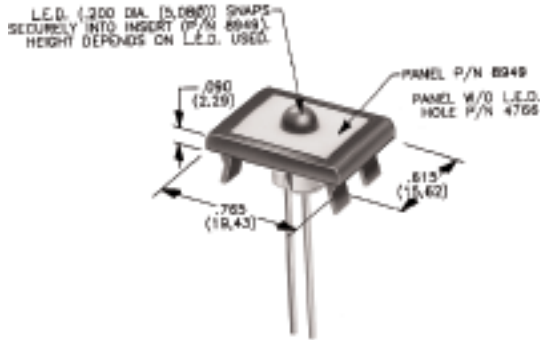
C&K 7000 Series Miniature Rocker & Lever Handle Switches

AVAILABLE HARDWARE

Panel Inserts

Will fit Separate Snap-in frames for J50, J60 & J90 actuators

Above frames (part nos. 432XXXXXX) are also available with insert which accepts LED for indicator light assembly. Order insert separately from frame. Blank insert panel (without hole for LED) also available. **LED not included.**



PANEL INSERT WITH HOLE FOR LED

PART NO.
894901000
894902000
894903000

BLANK PANEL INSERT WITHOUT HOLE FOR LED

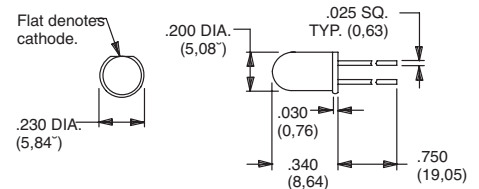
PART NO.
476601000 WHITE
476602000 BLACK
476603000 RED

NOTE: Special colors, custom markings available, consult Customer Service Center.

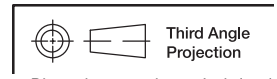
LED INFORMATION

Process Information: Soldering to LED leads must be completed within 5 seconds at 500° F (260°C) maximum.

LEDs are not supplied with J52, J62 options. LED snaps into switch frame surrounding actuator and is wired externally.



Suggested LED for J52 & J62 options.
Dimensions for reference only.



Third Angle Projection
Dimensions are shown: Inch (mm)
Specifications and dimensions subject to change

Rocker



H